



STRATOS



The platform stairlift for straight and curved staircases

The STRATOS platform lift is the perfect solution to make indoor and outdoor staircases accessible for the wheelchair driver. The smooth transport of electrically powered wheelchairs is guaranteed by a loading capacity of 300 kg. Thanks to the aesthetic and user friendly design, this lift fits into any environment and will improve the users independence and quality of life.

The robust construction ensures a long working life and a reliable performance. Confirming to the highest safety and quality standards, the STRATOS is an inexpensive way to manage staircases in a pleasant way. Due to the compact design the platform occupies only a minimum of space, keeping the staircase free of obstruction.

STRATOS

Reliability

Rigid platform mechanics and robust electronics provide for a low-maintenance performance and a high reliability of the platform functions, also in wet or cold conditions.

Quality and Safety

Numerous safety mechanisms fulfil the highest technical standards. TÜV certified according to the European Norm EN 81-40.

Comfort

Fully automatic platform functions and ergonomic controls allow a simple and comfortable control of the platform.



Installation in **narrow staircases** is possible

Available **in any RAL colour**, the platform can blend elegantly into any surrounding or bring some colour into grey spaces



Stainless steel rails and platform for a luxury appearance are an optional choice





An **elegant and modern** lift that fits smoothly into any environment

A **strong and stable** platform allows easy and safe access at the landings

Main advantages of the Stratos platform stairlift

- Slim and aesthetic design
- Installations on very narrow staircases
- Custom made platform sizes are possible
- Available in all RAL colours or as a stainless steel version
- Available as indoor and outdoor version
- Diagnostic display for status and error indication on the platform
- Platform frame and mechanics are built from solid steel parts making the platform robust and secure against vandalism
- TÜV approved and manufactured according to the European standard EN 81-40






Handset on spiral cable on the platform allows to comfortably control the platform while sitting in the wheelchair or on the folding seat

Joystick on the platform as an optional control function

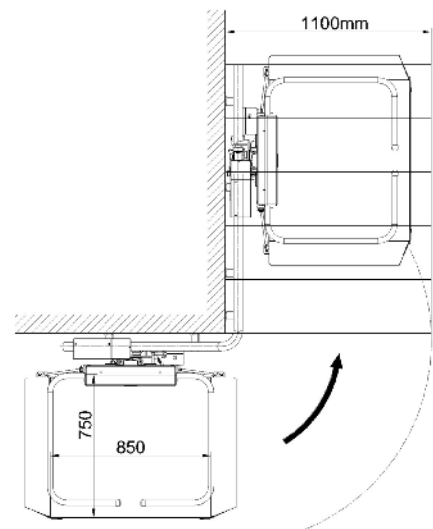
Landing controls in an elegant design can be used as handheld controls or can be fixed to the wall

Stratos - Technical Specification

Facts

Loading capacity	Standard 225kg (optional 300kg)
Platform width (min-max)	600 – 900 mm
Platform length (min-max)	700 – 1300 mm
Possible gradient	0 – 47°
Speed	0,06 – 0,1 m/s
Noise level	Under 60dB
Temperature range	+45°C down to -15°C
Minimum folded width	360 mm
Power supply (for charger)	1 x 230V / 50–60Hz
Certificates	 TÜV certified according to EN 81-40

Construction example



Göteborg

Slättängsgatan 6, 511 57 Kinna
Tel: 0320 135 66
info@glhiss.se. www.glhiss.se



Stockholm

Gustav III:s boulevard 34, 169 73 Solna
Tel: 08 754 81 15
info@ajhiss.se. www.ajhiss.se